



**DFMZ**  
DESIGN FILTRATION MICROZONE



**A LEADER IN BUILDING  
CLEANER ENVIRONMENTS**

## VBM Series Vertical Laminar Flow Hood

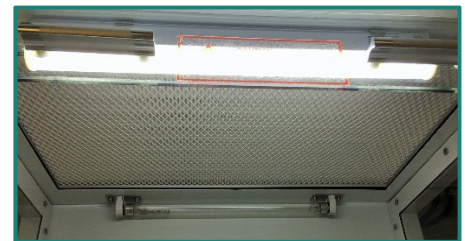
The **VBM Series** Vertical Laminar Flow Hood is a compact, portable laminar flow hood providing the ideal environment for excellent product protection, where particulates are not harmful to the operator. The downward vertical air flow blankets the work surface with HEPA filtered clean air, and maintains a positive pressure environment within the work zone, keeping your products and processes safe from airborne contaminants. A timer for UV light and interlock features make it an ideal solution for PCR type work.

### Available Models:

Model VBM-200 Nominal 2 ft. wide, Bench-top model



- Laminated safety glass side windows for additional viewing
- Two cord pass-through grommets in side panels
- LED and germicidal UV light\*  
\*UV light is interlocked with sash, LED light and fan



- Manual vertical sliding faceshield - fully closing
- Stainless steel dished work surface
- 3 Year Warranty

### Key Features\*

#### \*Excellent Product Protection

*Minimum ISO 5 (Class 100) conditions in the work zone*

#### \*Compact Design

*External dimensions:  
21.5" W x 18.1" D x 27.5" H  
Work zone dimensions:  
19.0" W x 13.4" D x 14.5" H*

*Lightweight to permit ease of transport from one area to another, can be placed on any table or bench surface*

#### \*Robust Construction

*Cold-rolled steel construction for exterior shell with durable, anti-bacterial powder coat paint finish*

*Stainless steel dished work surface  
Safety glass side panels and front faceshield*

#### \*Plug and Play Design

*Unit is ready to go "out of the box" with 15 ft. grounded cord and plug*

### Standard Features

- High Efficiency Particulate Air (HEPA) filter rated 99.99% efficient at 0.3 microns
- LCD control panel with soft touch switching for lights, fan, airflow speed and UV timer



- Partial recirculation feature to reduce turbulent airflow at the rear of the work zone area



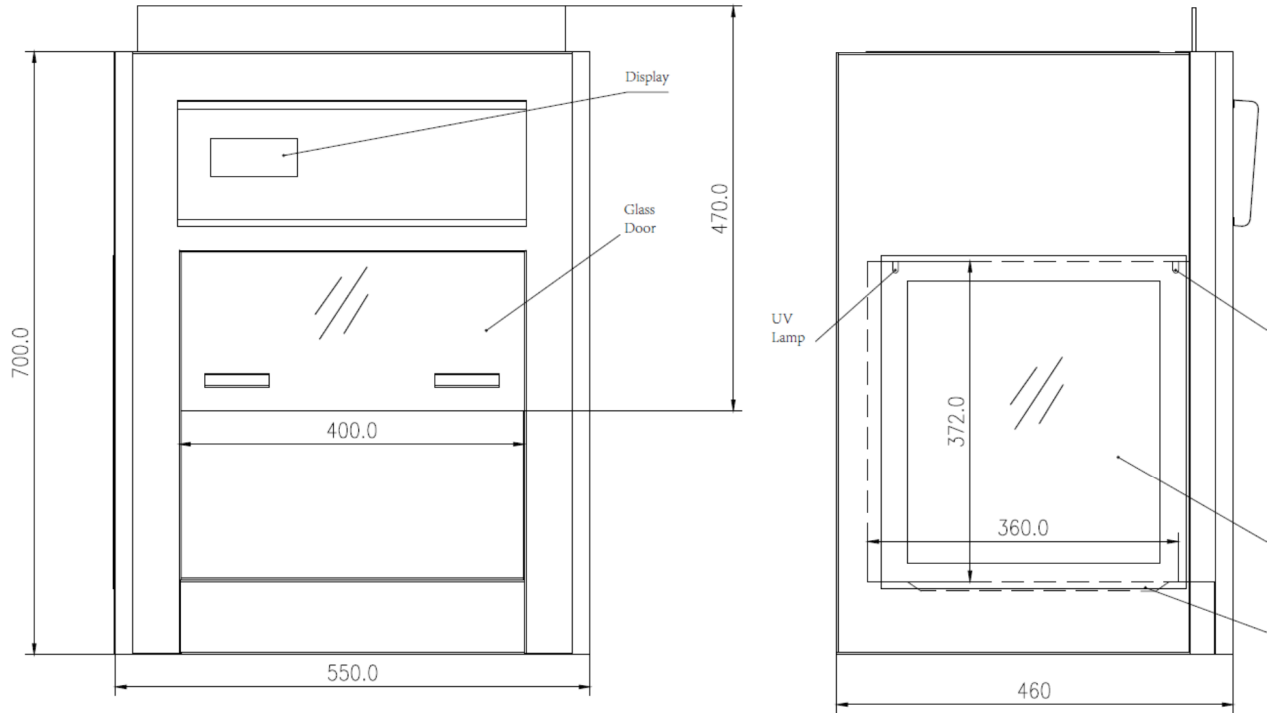


QUOTE NO.: \_\_\_\_\_

SALES ORDER: \_\_\_\_\_

CUSTOMER REF.: \_\_\_\_\_

**VBM SERIES v2.0 – MINI VERTICAL LAMINAR FLOW HOOD**



Model	Dimensions (W x D x H)	Work Zone (W x D x H)	Electrical
<input type="checkbox"/> VBM-200	21.5" x 18.1" x 27.5"	19.0" x 13.4" x 14.5"	1.0A, 115V, 60Hz

**STANDARD FEATURES:**

- Cold-rolled steel construction for exterior shell with durable, anti-bacterial powder coat finish
- HEPA filter rated 99.99% efficient on 0.3 microns to provide ISO Class 5 conditions
- Disposable pre-filter to maximize HEPA filter service life
- LCD control panel with soft touch switching for lighting, fan, UV timer, and airflow speed
- Energy-efficient LED lighting requires no service
- Germicidal UV lighting. UV light is interlocked with LED light, faceshield and fan for safety.
- Partial recirculation feature to reduce turbulence at the rear of work zone area
- Stainless steel work surface, dished profile to contain spills
- Manual vertical sliding faceshield - fully closing
- Qty. 2 Cord pass-through grommets in glass side panels
- 10' long grounded cord and plug
- 3 Year Warranty (parts and labour)

Notes / Comments:

Customer Signature \_\_\_\_\_

Date \_\_\_\_\_