

# USA Incubators

The digitally controlled USA Incubators from LW Scientific are perfect for various applications such as cultures, egg incubation, test kits, fluid bag warming, and other microbiological uses in pediatric, physician, and hospital labs. This new line of incubators is designed, engineered, and assembled in the USA by LW Scientific Atlanta. They provide better temperature stability and accuracy with the digital PID microprocessor controls, and the convection heat provides excellent heat distribution and uniformity. The LED temperature display shows constant temperature in Celsius or Fahrenheit, and the aluminum and stainless steel components are corrosion resistant and easy to clean. Economical and dependable, the LW Scientific Incubator is perfect for those labs requiring better temperature accuracy and a small footprint. Our incubators offer you incomparable USA quality and efficiency for a very reasonable price!



Designed, Engineered &  
Assembled Proudly in America

## CONSTRUCTION

Anodized aluminum and stainless steel  
Acrylic see-through door  
Adjustable stainless steel shelves  
Suction-cupped rubber feet

## TEMPERATURE

Ambient +2°C to 65°C  
Accurate to +/- 0.5°C  
Programmable temperature correction

## CONTROLS

PID Controller  
Simple keypad input  
Digital LED display

## ALARM

Visual alarm alerts when actual internal temperature exceeds programmed temperature

## POWER

300 watt/115v AC

## INCLUDED ACCESSORIES

10 Liter: 1 adjustable shelf  
20 / 30 Liter: 2 adjustable shelves

## USA Incubators

Model #	Description
ICL-010L-D031	Incubator, 10L (.35cu ft), Max temp 65°C (150°F), Digital Controls, 110vAC, 50/60hz
ICL-020L-D071	Incubator, 20L (.7cu ft), Max temp 65°C (150°F), Digital Controls, 110vAC, 50/60hz
ICL-030L-D101	Incubator, 30L (1.1cu ft), Max temp 65°C (150°F), Digital Controls, 110vAC, 50/60hz
ICL-010L-D032	Incubator, 10L (.35cu ft), Max temp 65°C (150°F), Digital Controls, 220vAC, 50/60hz
ICL-020L-D072	Incubator, 20L (.7cu ft), Max temp 65°C (150°F), Digital Controls, 220vAC, 50/60hz
ICL-030L-D102	Incubator, 30L (1.1cu ft), Max temp 65°C (150°F), Digital Controls, 220vAC, 50/60hz

- Designed, engineered, and assembled in the USA
- Adjustable shelves
- Capacities: 10, 20 and 30 liter



# USA Incubators

## 10 LITER

**(.35 cu ft) capacity**

*Dimensions Interior:*

(inches) 11.8 x 9.8 x 5.3

(mm) 300 x 250 x 135

*Dimensions Exterior:*

(inches) 12.9 x 11.7 x 11.7

(mm) 328 x 297 x 292

*Actual Weight:*

13.25lbs (6.0kg)

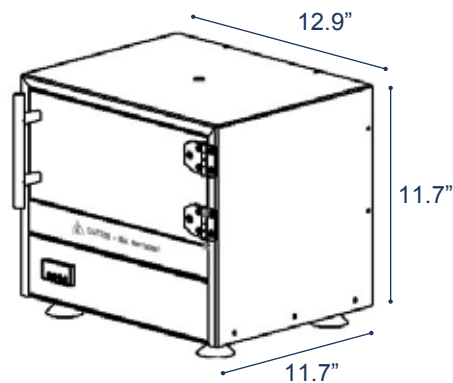
*Shipping Weight:*

17lbs (7.7kg)

*Packaging:*

(inches) 16 x 16.5 x 16

(mm) 406 x 419 x 406



## 20 LITER

**(.7 cu ft) capacity**

*Dimensions Interior:*

(inches) 11.8 x 9.8 x 10.6

(mm) 300 x 250 x 268

*Dimensions Exterior:*

(inches) 12.9 x 11.7 x 16.8

(mm) 328 x 297 x 427

*Actual Weight:*

14.70lbs (6.6kg)

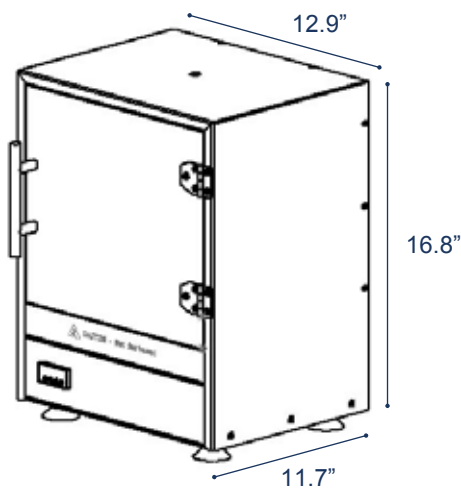
*Shipping Weight:*

19.45lbs (8.8kg)

*Packaging:*

(inches) 16 x 16.5 x 21.2

(mm) 406 x 419 x 538



## 30 LITER

**(1.1 cu ft) capacity**

*Dimensions Interior:*

(inches) 11.8" x 9.8" x 15.8"

(mm) 300 x 250 x 402

*Dimensions Exterior:*

(inches) 12.9 x 11.7 x 22

(mm) 328 x 297 x 559

*Actual Weight:*

17.75lbs (8.0kg)

*Shipping Weight:*

23lbs (10.4kg)

*Packaging:*

(inches) 16 x 16.5 x 26.5

(mm) 406 x 419 x 673

