

70" Powered Exhaust Hood with Inline Fan

MADE IN
THE USA



SINCE 1983

Model # SS-370-E-EF

Sentry Air's **70" Wide Powered Exhaust Hood with Inline Fan** integrates high-quality materials and superior design to provide a compact and lightweight exterior-ducting fume hood solution. This benchtop unit features unique hinged folding side panels, a high-density polyethylene base, a clear polycarbonate top, and a polycarbonate hinged sloping front lid. This model with the inline exhaust fan (SS-300-ILF) uses a powerful fan to draw out most of the harmful fumes and particulate away from the operator's breathing zone. This energy efficient fan offers a variable speed controller from 240 to 700 CFM.

Typically, exhaust hoods are utilized in *chemical laboratories especially when evaporating large amounts of volatile organics, chemicals with low odor thresholds, heavy powder and capsule filling, and a variety of other processes that require exterior fume exhaust.*

The **70" Powered Exhaust Hood with Inline Fan** can provide an effective and economical tool for air quality enhancement in many commercial, chemical, medical, laboratory, and industrial applications.

This unique **Powered Exhaust Hood** can be customized in numerous ways including:

- Material options (e.g. metal, esd-safe, PVC)
- Size options (width, height, depth, access area dimensions)
- Custom cutouts (e.g. sink, machinery, microscopes)
- Dual-entry configuration
- Custom illumination options (e.g. black light)
- Accessories for hanging equipment

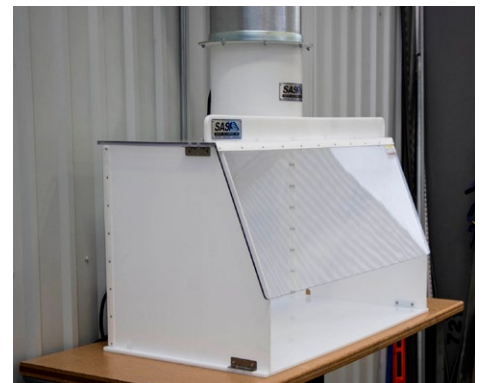
Disclaimer: The end user is ultimately responsible for conforming to all applicable exhaust ventilation regulations. Consult local, state, and federal agencies regarding the suitability of your application prior to venting fumes to the environment. It is your ultimate responsibility to ensure the safety and suitability of your application. For more information, contact a local safety professional (certified industrial hygienist) for conformance and suitability.

Product Features

- **Includes:** LED light, inline exhaust fan (SS-300-ILF), and remote control box
- **Optional:** spill trays and anti-static vinyl curtains
- **Standard Sizes:** 24", 30", 40", 50", 60", and 70"
- Custom sizes and modification options



70" Powered Exhaust Hood with
Inline Fan

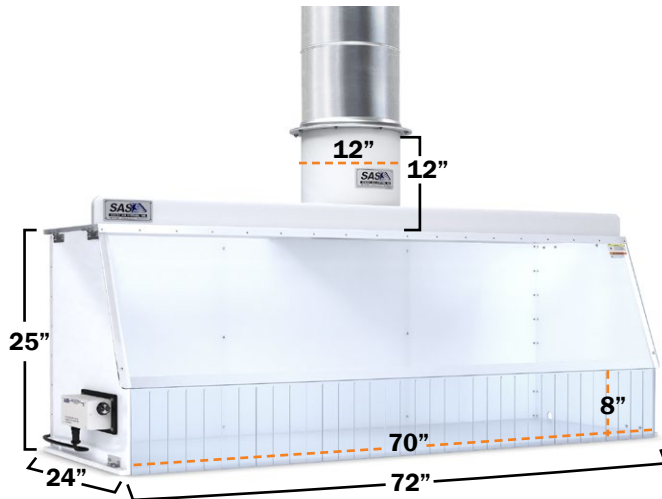


The Powered Exhaust Hood with Inline
Fan pulls most of the harmful fumes
away from the operator's breathing zone
(40" pictured above & below).



Powered Exhaust Hood with Inline Fan

Product Specifications



Shown with outer dimensions.
Dimensions are approximate.



7357 Woodbine Ave 409 1
Markham, ON L3R 6L3
905.475.5880 • 1.888.885.1900
www.labequip.com/contact-us.html

www.labequip.com

Hood Dimensions (D x W x H)	Outer: 24" x 72" x 25" Interior: 23.5" x 70" x 24" Access Area: 8" x 70"
Hood Material	Sides: 0.25" white acrylic Base: 0.5" white high density polyethylene Top: 0.5" clear polycarbonate Front: 0.25" clear polycarbonate
Weight (approximately)	118 lbs.
Inline Fan Dimensions	12" tall x 12" diameter
Electrical	115/1/60, 2 peak amps 220/1/50, 0.75 amps
Fan Housing	16 ga. carbon steel
Blower Material	PA 6/6 UL plastic
Flanged Connections	8 hole, 12" Vanstone flange
Flange Configuration	13.936" diameter bolt circle, (8) 0.312" bolt hole diameter
Airflow	down to 240 and up to 700 CFM
Sound Level	48 to 71 dba (Low to High)
Maximum Operating Temperature	Not to exceed 150° F
Warranty	Limited two-year warranty from date of shipment on defects due to materials or workmanship.
US Patent	#5,843,197