



Rocking & Waving Shakers



Easiest to Use in the Market with Onboard Adjustments for Tilt Angle

OHAUS Rocking and Waving Shakers are designed for use in a range of lab applications in a variety of environmental conditions. Rocking Shakers provide a seesaw-like motion, while Waving Shakers offer a smooth, low-foaming, 3D wave motion for precise speed control. Available in microprocessor-controlled digital models and more economical analog models. All models include a non-slip mat, and most models are available with a stacking tray option.

Standard Features:

- **Microprocessor Provides Precise Control**

Microprocessor control allows for electronic tilt angle adjustment in 1° increments for tilt and 1 rpm increments for speed (digital models) or independent control knobs for tilt, speed and time (analog models).

- **Independent LEDs and Touchpad Control for Speed/Tilt Angle and Time**

Digital models are equipped with LED displays and touchpad controls for speed, tilt angle and time. Timer displays elapsed time or when programmed to a set time, will turn off when time reaches zero.

- **Safety Features Include Speed Ramping and Overload Protection**

Speed ramping feature slowly increases speed to desired setpoint to avoid splashing. Audible/visual signals activate when the system detects an obstruction or tray overload.

Rocking & Waving Shakers

Model	SHRK07AL1	SHRK07AL2	SHRK04DG	SHWV02AL	SHWV02DG
Control	Analog	Analog	Digital	Analog	Digital
Motion / Tilt Angle	Rocking / 0 – 15°			Waving / 0 – 16°	Waving / 0 – 20°
Speed Range	1 – 75 rpm		1 – 50 rpm	1 – 75 rpm	1 – 30 rpm
Speed Accuracy	± 1 rpm				
Timer	1 minute – 120 minutes		1 second – 160 hours	1 minute – 120 minutes	1 second – 160 hours
Capacity	16 lb / 7.3 kg		10 lb / 4.5 kg	5 lb / 2.3 kg	
Working Environment	14 °F – 140 °F, 80% Relative Humidity, non-condensing / -10 °C – 60 °C, 80% Relative Humidity, non-condensing				
Drive System	Stepper Motor				
Included Tray (L x W)	14 in. x 11 in. / 356 x 279 mm		12.75 in. x 10 in. / 324 x 254 mm	14 in. x 11 in. / 356 x 279 mm	11.75 in. x 8.75 in. / 299 x 222 mm
Tray Construction	Aluminum				
Tiers	1	2	1		
Overall Dimensions (L x W x H)	16.8 x 11 x 6.5 in. / 425 x 279 x 165 mm	16.8 x 11 x 9.5 in. / 425 x 279 x 241 mm	16.8 x 10 x 5.5 in. / 425 x 254 x 140 mm	16.8 x 11 x 6.5 in. / 425 x 279 x 165 mm	17 x 11 x 6 in. / 432 x 279 x 152 mm
Net Weight	14.6 lb / 6.6 kg	15.5 lb / 7 kg	14.6 lb / 6.6 kg		15.2 lb / 6.9 kg
Power	120V, 0.125A, 50/60Hz		120V, 5A, 50/60Hz	120V, 0.125A, 50/60Hz	120V, 5A, 50/60Hz
Power Consumption	15 W		25 W		

Other Standard Features and Equipment

Built-in tray with non-slip rubber mat (included), overload protection with audio/visual alarm on digital models and audible alarm on analog models

Compliance

- **Product Safety:** CAN/CSA C22.2 61010-1, CAN/CSA C22.2 61010-2-051, UL 61010-1, UL 61010-2-051
- **Electromagnetic Compatibility:** ICES-003 Class A, FCC Part 15 Class A
- **Compliance Marks:** TÜV SÜD

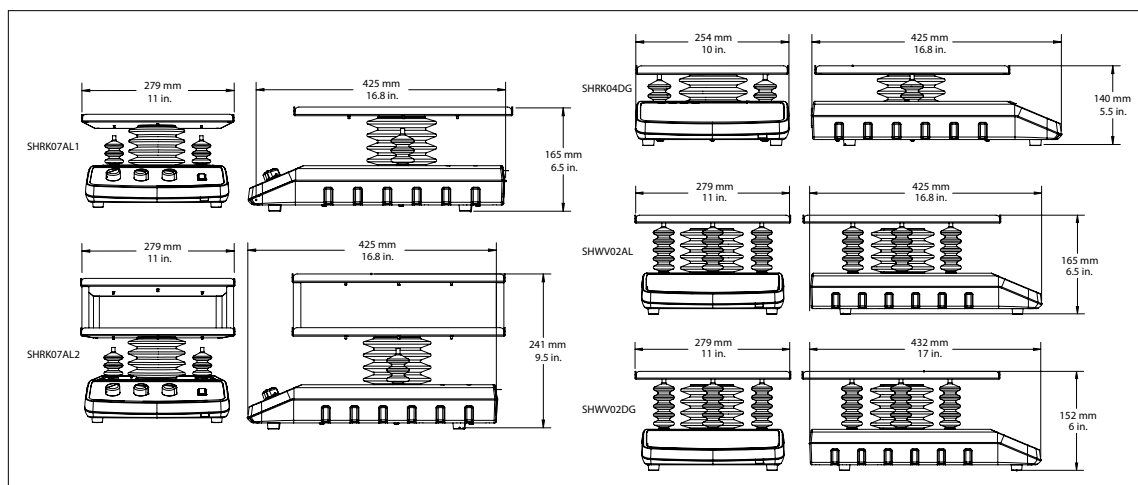
Applications

Mixing blood samples, DNA extractions, blotting techniques, staining and destaining gels, hybridizations

Accessories

Rocking and Waving Shaker Accessories						
Item No.	Description	SHRK07AL1	SHRK07AL2	SHRK04DG	SHWV02AL	SHWV02DG
30400137	Double Tier Platform Kit Rocker SHRK04DG			•		
30400138	Double Tier Platform Kit Waver SHWV02DG					•
30400139	Double Tier Platform Kit Rocker SHRK07AL	•				
30400140	Dimpled Mat For Rocker SHRK04DG			•		
30400142	Dimpled Mat For Waver SHWV02DG					•
30400144	Dimpled Mat For Rocker SHRK07AL	•	•		•	

Dimensions



OHAUS CORPORATION

7 Campus Drive
Suite 310
Parsippany, NJ 07054 USA

Tel: 800.672.7722
973.377.9000
Fax: 973.944.7177

www.ohaus.com

The management system
governing the manufacture
of this product is
ISO 9001:2015 certified.

