

# PM R Moisture Analyzers

Cutting-edge solutions and a high quality measurement in drying process and moisture content analysis



Communication interfaces



Large LCD screen with text information line

## Functions

- 

Moisture content analysis
  - 

Drying modes
  - 

GLP procedures
  - 

Replaceable unit
  - 

Multilingual menu
- 

Dry mass determination

## Features

### Measurement Precision Along with High Performance and Productivity

Due to combination of simplicity of operation, great measurement accuracy and high performance, the PM R moisture analysers can be used for vast range of moisture content determination processes.

### Mass Measurement Accuracy and Drying Temperature Optimisation

Smart control of heating modules operation guarantees optimum drying temperature, plus fast and precise measurement. At your disposal there are numerous drying profiles ensuring various methods of obtaining the pre-set temperature.

### Perfect Readability and Clear Information Layout

Large, easy-to-read LCD display offers not only a clear presentation of the weighing result, but also enables displaying messages related to the drying process as well as pictograms of active functions and working modes.

### Quick Access to Selected Functions

Quick access keys located on the operation panel enable you to run a given function with just one click. You can assign some of the keys with a selected function.

### Databases as Drying Processes Support

Possibility to record sample-related information and drying parameters in the database improves managing of measurement processes and makes comfort of operation more advanced.

## Technical Specifications

	PM 50/1.R	PM 50.R
Maximum capacity [Max]	50 g	50 g
Readability [d]	0.1 mg	1 mg
Tare range	-50 g	-50 g
Maximum sample weight	50 g	50 g
Drying temperature range	max. 160°C, max. 250°C (option)*	max. 160°C, max. 250°C (option)*
Moisture content readability	0.0001%	0.001%
Moisture content repeatability	0.05% (ca. 2 g sample), 0.01% (ca. 10 g sample)	0.05% (ca. 2 g sample) 0.01% (ca. 10 g sample)
Adjustment	external	external
Display	LCD (backlit)	LCD (backlit)
Keypad	14 keys	14 keys
Heating module	IR emitter halogen lamp (option)** metal heater (option)**	IR emitter halogen lamp (option)** metal heater (option)**
Databases	6	6
Drying profiles	standard, fast, step, mild	standard, fast, step, mild
Finish mode	manual, automatic, time-defined, user-defined	manual, automatic, time-defined, user-defined
Additional functions	sample traceability	sample traceability
USB-A	1	1
USB-B	1	1
RS 232	1	1
Wireless connection (option)***	802.11 b/g/n	802.11 b/g/n
Power supply	230 V	230 V
Power consumption	4 W (during weighing) and max 450 W (during drying)	4 W (during weighing) and max 450 W (during drying)
Heating module power	450 W	450 W
Operating temperature	+10 ÷ +40 °C	+10 ÷ +40 °C
Atmospheric humidity****	40 ÷ 80%	40 ÷ 80%
Transport and storage temperature	-20 ÷ +50 °C	-20 ÷ +50 °C
Maximum sample height	h= 20 mm	h= 20 mm
Weighing pan dimensions	ø 90 mm, h= 8 mm	ø 90 mm, h= 8 mm
Weighing device dimensions	333 × 206 × 190 mm	333 × 206 × 190 mm
Net weight	4.8 kg	4.8 kg
Gross weight	6.3 kg	6.3 kg
Packaging dimensions	470 × 380 × 336 mm	470 × 380 × 336 mm

\* optional design with halogen lamp – max temperature 250° C

\*\* optional design with preferable heating module: halogen lamp – WH version, metal heater – NS version

\*\*\* option: moisture analyzer with a Wireless Connection module

\*\*\*\* non-condensing conditions

**PM 210.R**

<b>Maximum capacity [Max]</b>	210 g
<b>Readability [d]</b>	1 mg
<b>Tare range</b>	-210 g
<b>Maximum sample weight</b>	210 g
<b>Drying temperature range</b>	max. 160°C, max. 250°C (option)*
<b>Moisture content readability</b>	0.001%
<b>Moisture content repeatability</b>	0.05% (ca. 2 g sample), 0.01% (ca. 10 g sample)
<b>Adjustment</b>	external
<b>Display</b>	LCD (backlit)
<b>Keypad</b>	14 keys
<b>Heating module</b>	IR emitter halogen lamp (option)** metal heater (option)**
<b>Databases</b>	6
<b>Drying profiles</b>	standard, fast, step, mild
<b>Finish mode</b>	manual, automatic, time-defined, user-defined
<b>Additional functions</b>	sample traceability
<b>USB-A</b>	1
<b>USB-B</b>	1
<b>RS 232</b>	1
<b>Wireless connection (option)***</b>	802.11 b/g/n
<b>Power supply</b>	230 V
<b>Power consumption</b>	4 W (during weighing) and max 450 W (during drying)
<b>Heating module power</b>	450 W
<b>Operating temperature</b>	+10 ÷ +40 °C
<b>Atmospheric humidity****</b>	40 ÷ 80%
<b>Transport and storage temperature</b>	-20 ÷ +50 °C
<b>Maximum sample height</b>	h= 20 mm
<b>Weighing pan dimensions</b>	ø 90 mm, h= 8 mm
<b>Weighing device dimensions</b>	333 × 206 × 190 mm
<b>Net weight</b>	4.8 kg
<b>Gross weight</b>	6.3 kg
<b>Packaging dimensions</b>	470 × 380 × 336 mm

\* optional design with halogen lamp – max temperature 250° C

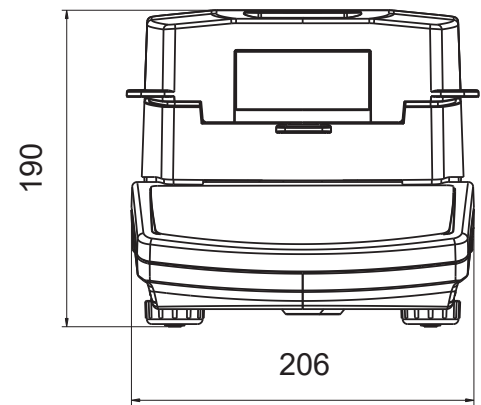
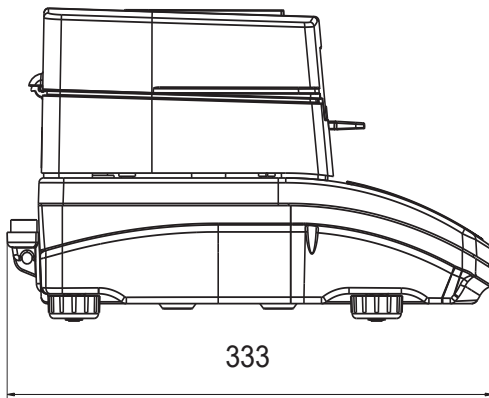
\*\* optional design with preferable heating module: halogen lamp – WH version, metal heater – NS version

\*\*\* option: moisture analyzer with a Wireless Connection module

\*\*\*\* non-condensing conditions

## Dimensions

---



## Accessories

---

### Weighing Tables

- antivibration tables for laboratory balances

### Weighing Tables

- antivibration tables for laboratory balances

### Special Purpose Weighing

- water vapour permeability determination set

### Ambient Conditions

GT105K-12/Z control thermometer

### Peripheral Devices

- Epson dot matrix printer
- barcode scanners

### Consumables

- disposable pans

### Cables, Converters

- P0108: RS 232 cable (balance-computer)
- P0151: RS 232 cable (balance - Epson printer)

## Dedicated Software

---

### Alibi Reader

- readout of Alibi memory stored data
- export of Alibi memory stored data
- data filtering and reports generating
- saving ALIBI database to CSV file

### LabView Driver

- operation of RADWAG balances in LabView environment

### E2R Moisture Analyzer

- drying programs synchronization
- online preview of the drying process
- drying processes record
- reporting of single and group drying operations